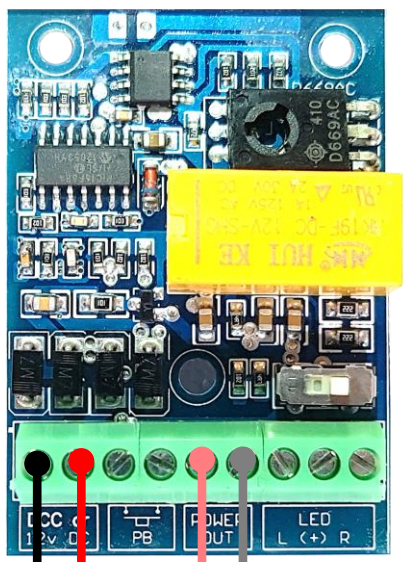




Cobalt iP Analog and AD1HP Frog Wiring

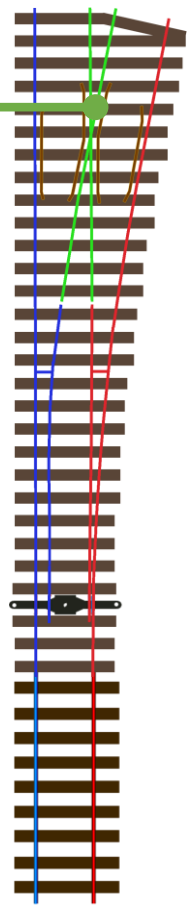
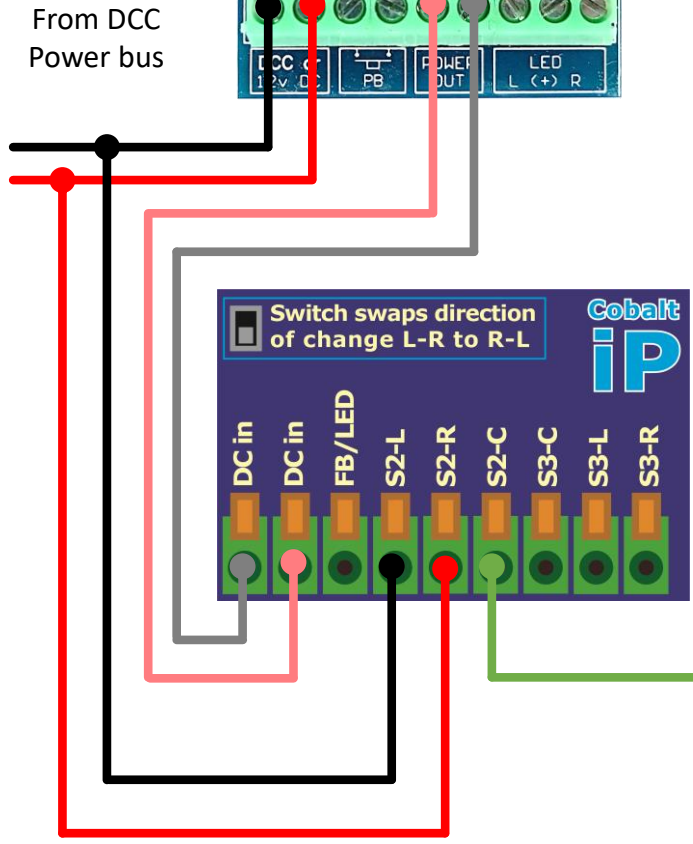
DCD-AD1HP

The same principle applies to AD-8 accessory decoders



As shown, the wiring assumes that this is the orientation of the Cobalt

From DCC Power bus



The orientation of the Cobalt will affect the wiring. If the frog is the wrong polarity, swap S2-L and S2-R



DCP-CB1iP