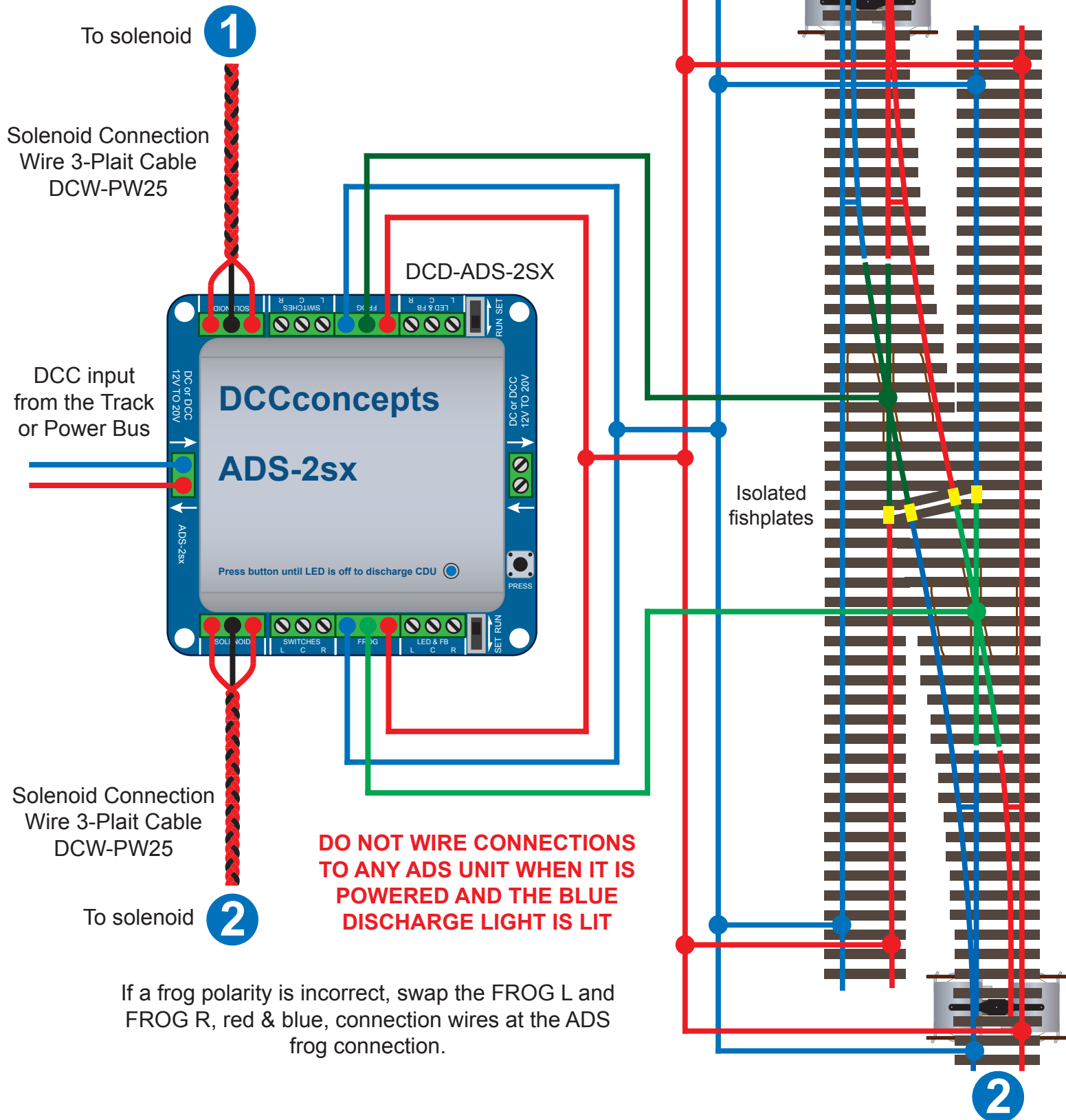




ADS-2SX Frog Control Of A Crossover

The connections shown are for the ADS-2SX but they also apply to the ADS-4SX and ADS-8SX.



If a frog polarity is incorrect, swap the FROG L and FROG R, red & blue, connection wires at the ADS frog connection.