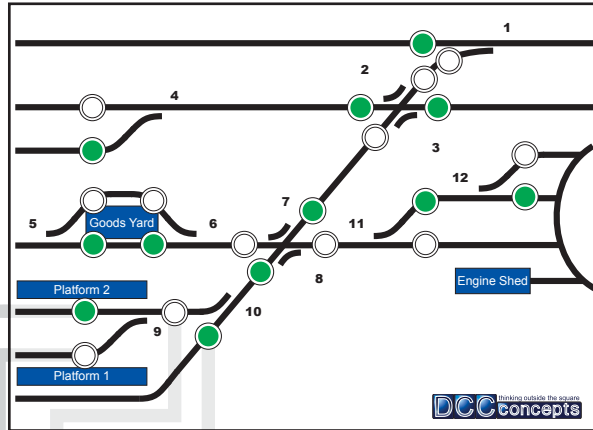


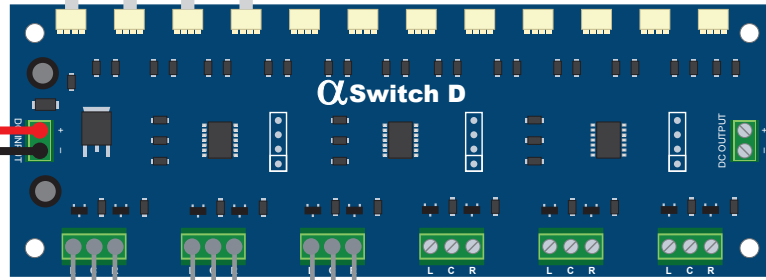


Alpha Switch D & ADS-2SX Via The DSS.2 Controlling A Kato Via SDC3

12V DC
Regulated PSU
DCP-PS12



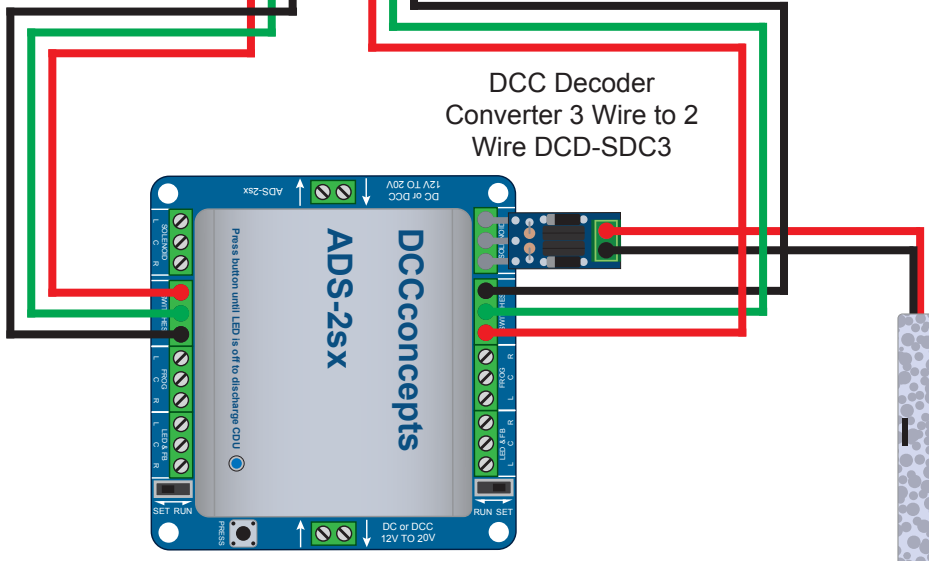
Alpha Switch D
switches in Red,
also available with
White, Green and
Blue LEDs
DCD-DSR



Alpha-Switch-D Solenoid
Accessory
DCD-DSS.2

To the next solenoid decoder
and point motor combination.

DCC Decoder
Converter 3 Wire to 2
Wire DCD-SDC3



Kato 2 Wire
Point Motor
K2-504

2 Channel Accessory Decoder CDU
Solenoid Drive & Digital Relay SX
DCD-ADS-2SX