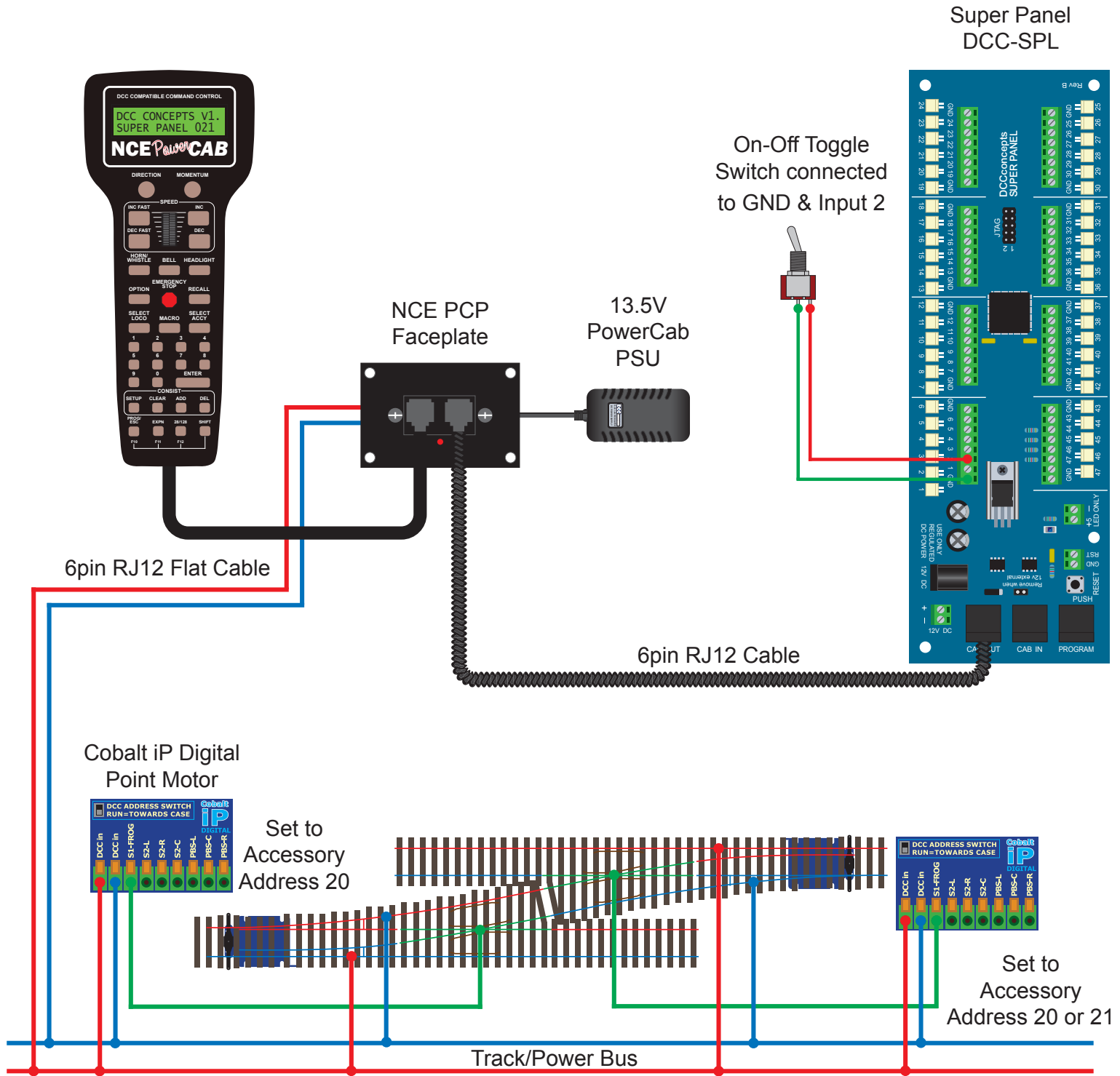




# Super Panel Advice #2 - Controlling A Crossover With A Single Toggle Switch

## Super Panel Advice #2



**Please note - The DCCconcepts Super Panel needs an NCE system to program and operate.**